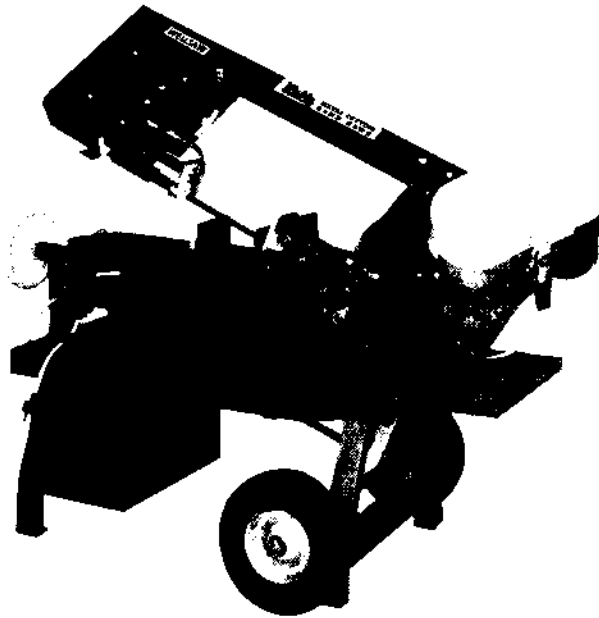


STARTING SERIAL NUMBER 11885

PARTS LIST

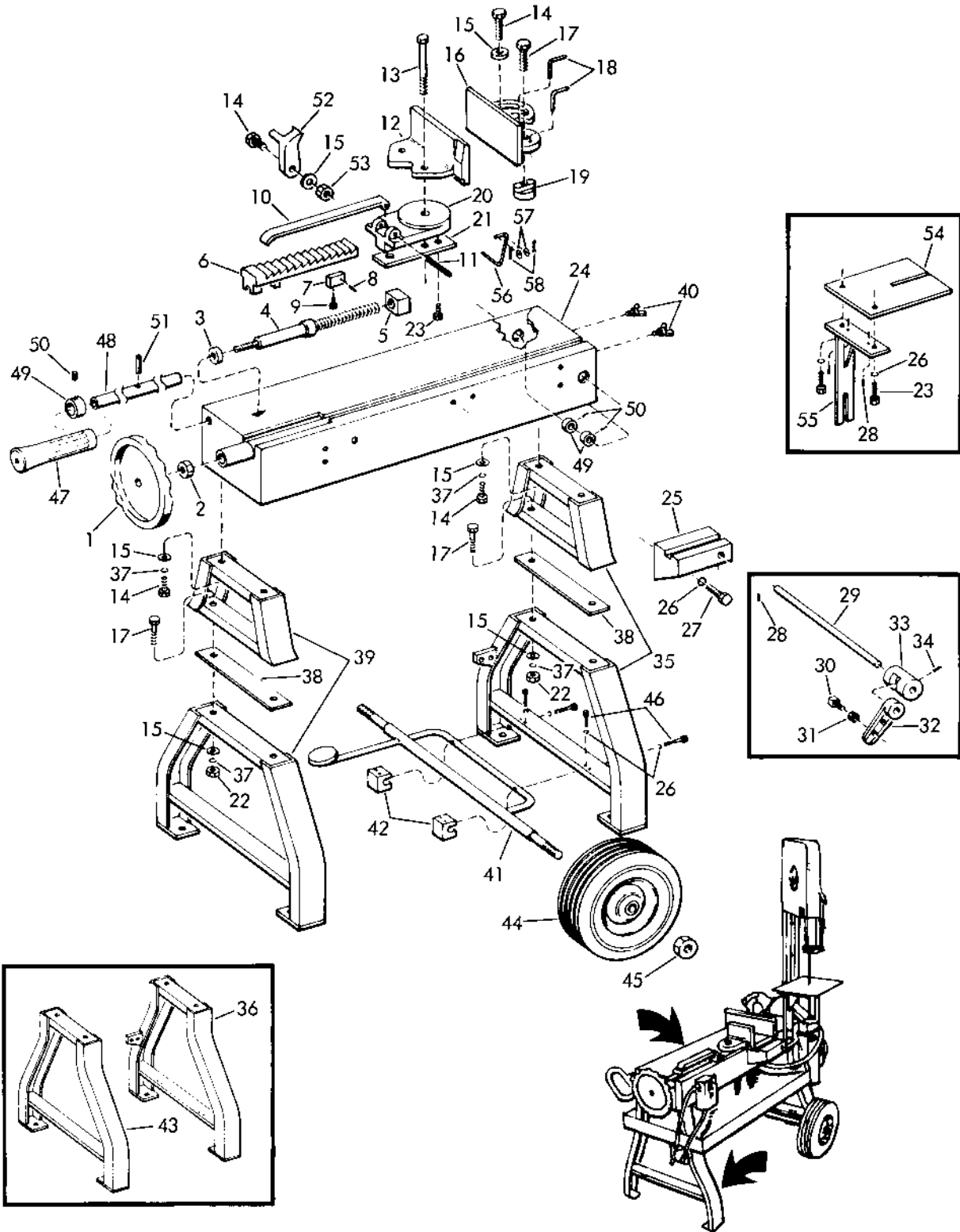
Wellsaw®

MODEL 58B
METAL CUTTING BAND SAW



Always Give Model Number, Serial Number and Part Number When Ordering Repair Parts

BED AND LEG DETAILS



Always give model number, serial number and part number when ordering repair parts.

BED AND LEG DETAILS

PARTS LIST

REF NO.	PART NUMBER	DESCRIPTION
1	A-16	Hand Wheel
2	100019-8	Hex Jam Nut
3	100402	Thrust Collar
4	102889	Vise Screw
5	M-61	Vise Screw Nut
6	102890	Vise Ratchet (after SN23617 use 102890)
7	102957	Clamp Block
8	100053-5	Roll Pin
9	100004-20	Cap Screw - 5/16 - 18 x 1-1/4 - Hex Head
10	102891	Vise Ratchet Dog (after SN23617 use 120232)
11	100053-2	Roll Pin - 3/8 x 2-1/2
12	105847	Movable Vise Jaw
13	100004-39	Cap Screw - 1/2 - 13 x 2-1/2 - Hex Head
14	100004-37	Cap Screw - 1/2 - 13 x 1-1/2 - Hex Head
15	100029-6	Flat Washer - 1/2
16	A-31	Stationary Vise Jaw
17	100004-38	Cap Screw - 1/2 - 13 x 2 - Hex Head
18	M-65	Locating Pin
19	A-151	Clamp Nut
20	105839	Vise Slide Block
21	105840	Vise Slide Block Guide
22	100017-5	Hex Nut - 1/2 - 13
23	100004-13	Cap Screw - 5/16 - 18 x 5/8 - Hex Head
24	105845	Bed
25	101750	Tip-Off Block
26	100025-2	Lock Washer - 5/16
27	100004-15	Cap Screw - 5/16 - 18 x 3/4 - Hex Head
28	100034-3	Set Screw - 5/16 - 18 x 3/8
29	A-62	Stop Bar
30	100033-23	Set Screw - 3/8 - 16 x 2-1/2
31	100017-3	Hex Nut - 3/8 - 16
32	A-13	Stop Arm
33	A-36	Stop Arm Housing
34	100034-6	Set Screw - 5/16 - 18 x 7/8
35	105803	Split Leg - Drive End
36	102855	Leg - Drive End
37	100025-5	Lock Washer - 1/2
38	105806	Gasket
39	105802	Split Leg - Idle End
40	100063	Thumb Screw
41	102932	Wheel Axle
42	102937	Mounting Block
43	102856	Leg - Idle End
44	102938	Wheel
45	100020-5	Nut - Self Locking - 5/8 - 11
46	100004-13	Cap Screw - 5/16 - 18 x 5/8 - Hex Head
47	105826	Handle Grip
48	105818	Handle Rod
49	102886	Collar
50	100034-1	Set Screw - 1/4 - 20 x 3/16

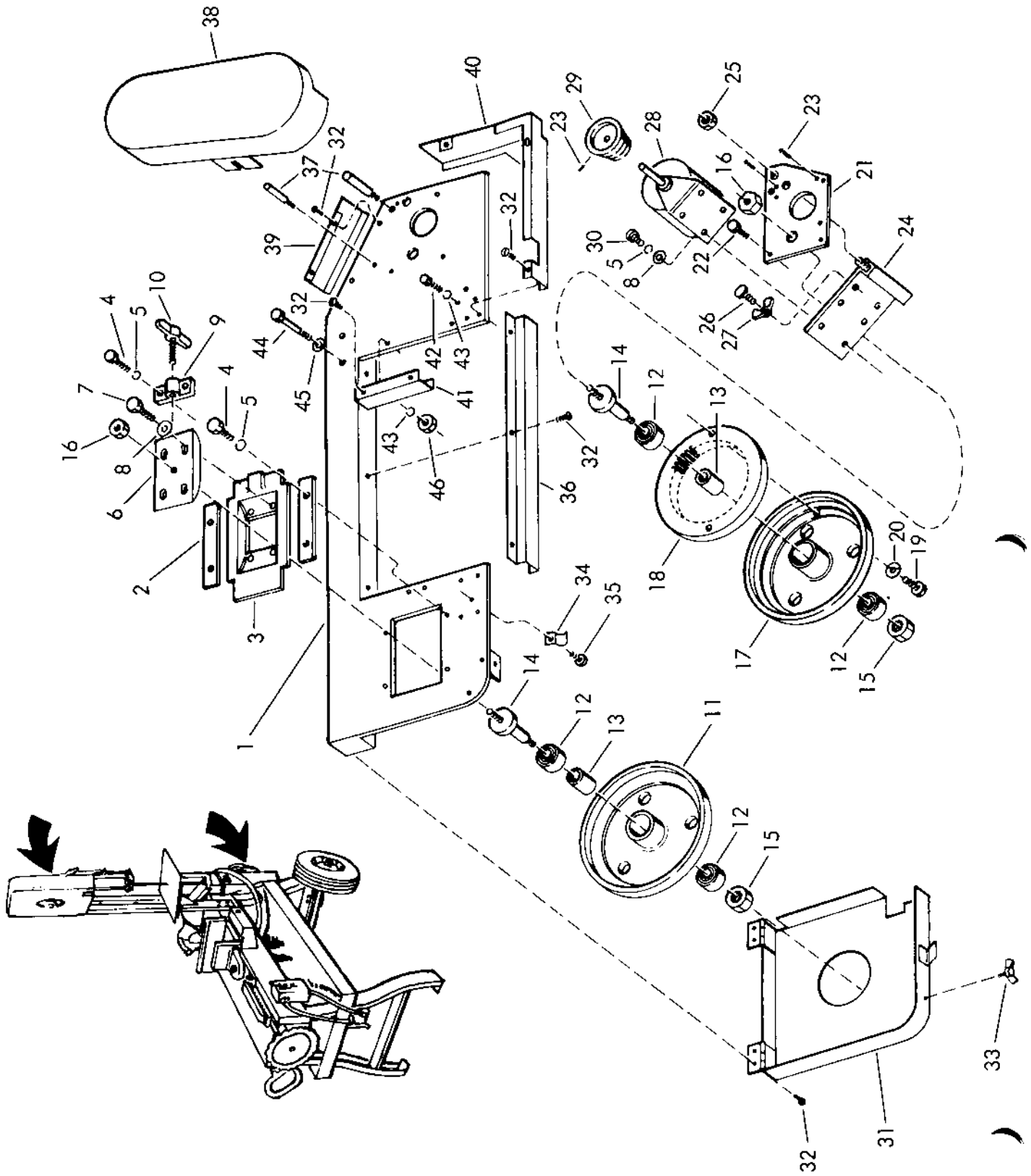
Always give model number, serial number and part number when ordering repair parts.

BED AND LEG DETAILS
PARTS LIST CONT.

REF NO.	PART NUMBER	DESCRIPTION
51	100053-5	Roll Pin
52	102887	Ratchet Dog
53	100019-5	Hex Jam Nut
54	102923	Table Plate
55	102924	Table Support
56	102955	Stop Latch
57	100030-4	Flat Washer
58	100050-3	Cotter Pin
	102922	Table Ass'y Opt. Equip. Incl. Items 23, 26, 28, 54 & 55
	101709	Stock Stop Ass'y Opt. Equip. Incl. Items 28 thru 34
	102931	Wheel & Handle Kit Opt. Equip. Incl. Items 26, 41, 42, 44 thru 51 56, 57, 58 and items 47 and 48 on Page 2

Always Give Model Number, Serial Number and Part Number When Ordering Repair Parts

WHEEL AND FRAME DETAILS



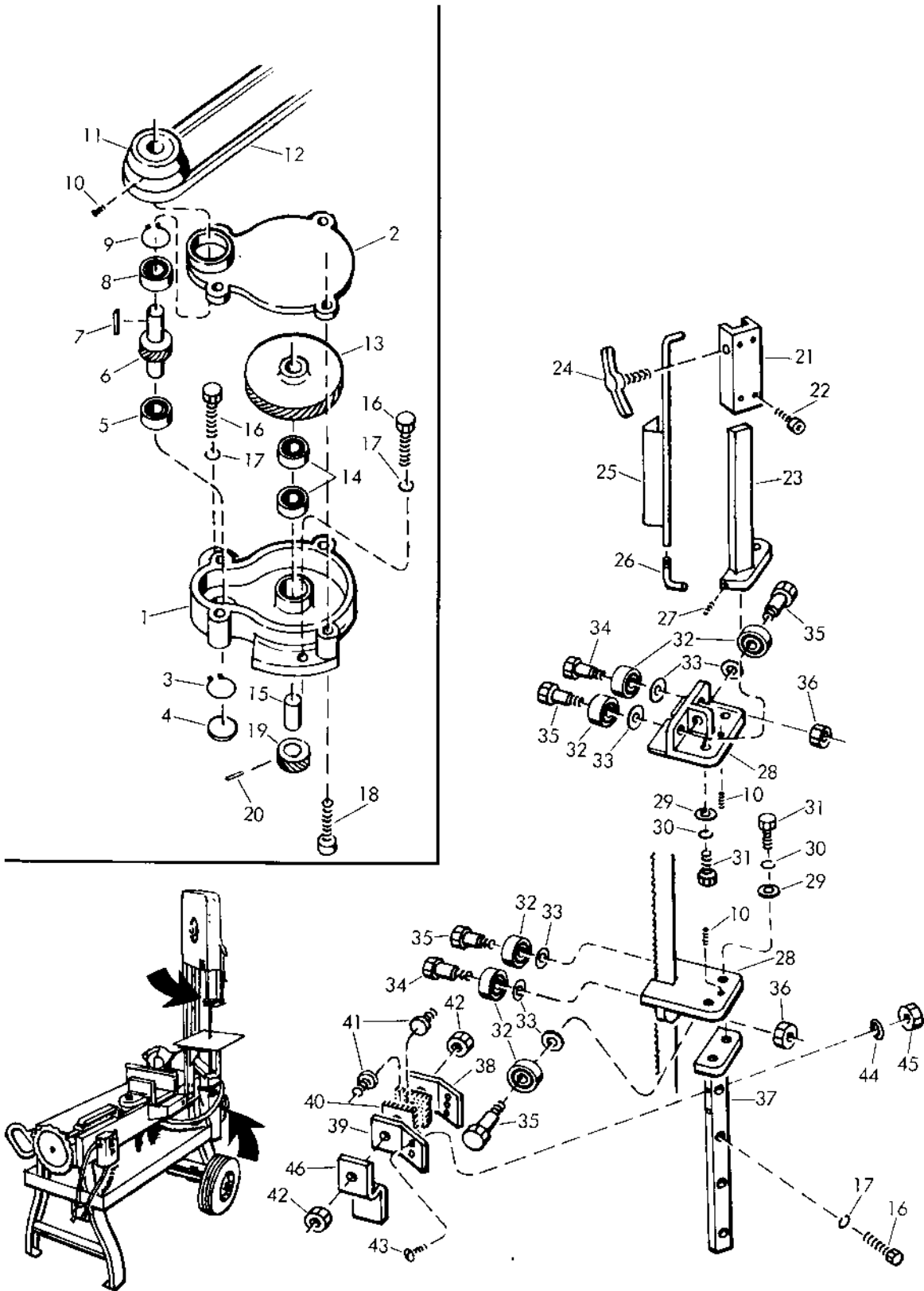
Always give model number, serial number and part number when ordering repair parts.

WHEEL AND FRAME DETAILS PARTS LIST

REF NO.	PART NUMBER	DESCRIPTION
1	102874	Frame
2	A-46	Wheel Slide Block Guide
3	A-12	Slide Block
4	100004-13	Cap Screw - 5/16 - 18 x 5/8 - Hex Head
5	100025-2	Lock Washer
6	A-10	Wheel Adjusting Block
7	100004-18	Cap Screw - 5/16 - 18 x 1 - Hex Head
8	100029-3	Flat Washer
9	A-9	Wing Screw Block
10	102896	Wing Screw
11	A-17B	Band Wheel - Idle End
12	100403-2	Ball Bearing
13	M-172	Spacer
14	M-429	Wheel Axle
15	100019-6	Hex Jam Nut
16	100065-7	Hex Nut
17	A-17A	Band Wheel - Drive End
18	A-86	Ring Gear
19	100004-53	Cap Screw - 1/4 - 20 x 1 - Hex Head
20	100025-1	Lock Washer
21	102900	Wheel Plate
22	100004-15	Cap Screw - 5/16 - 18 x 3/4 - Hex Head
23	100034-3	Set Screw - 5/16 - 18 x 3/8
24	102903	Motor Support
25	100020-5	Nut - Self Locking
26	100042-10	Thumb Screw
27	100024-1	Wing Nut
28		1/3 H.P. Motor - Give Complete Electrical Specs.
29	101238	Pulley - Motor
30	100004-11	Cap Screw - 5/16 - 18 x 1/2 - Hex Head
31	102876	Wheel Guard
32	100000-17	Machine Screw - #10 - 32 x 1/4 - Round Head
33	100063	Thumb Screw
34	100218-1	Clamp
35	100000-52	Machine Screw - 1/4 - 20 x 1/4 - Round Head
36	102877	Blade Guard
37	102905	Stud
38	102906	Belt Guard
39	105811	Angle Wheel Guard
40	105810	Wheel Guard - Drive End
41	102879	Wheel Guard - Short
42	100004-26	Cap Screw - 3/8 - 16 x 7/8 - Hex Head
43	100025-3	Lock Washer
44	100004-67	Cap Screw - 3/18 - 16 x 3 - Hex Head
45	100029-4	Flat Washer
46	100017-3	Hex Nut
	102929	Wheel Ass'y Comp. - Idler - Incl. Items 11 thru 15
	102930	Wheel Ass'y Comp. - Drive - Incl. Items 12 thru 15 & 17 thru 20

Always Give Model Number, Serial Number and Part Number When Ordering Repair Parts

BLADE GUIDES AND GEAR BOX DETAILS



Always give model number, serial number and part number when ordering repair parts.

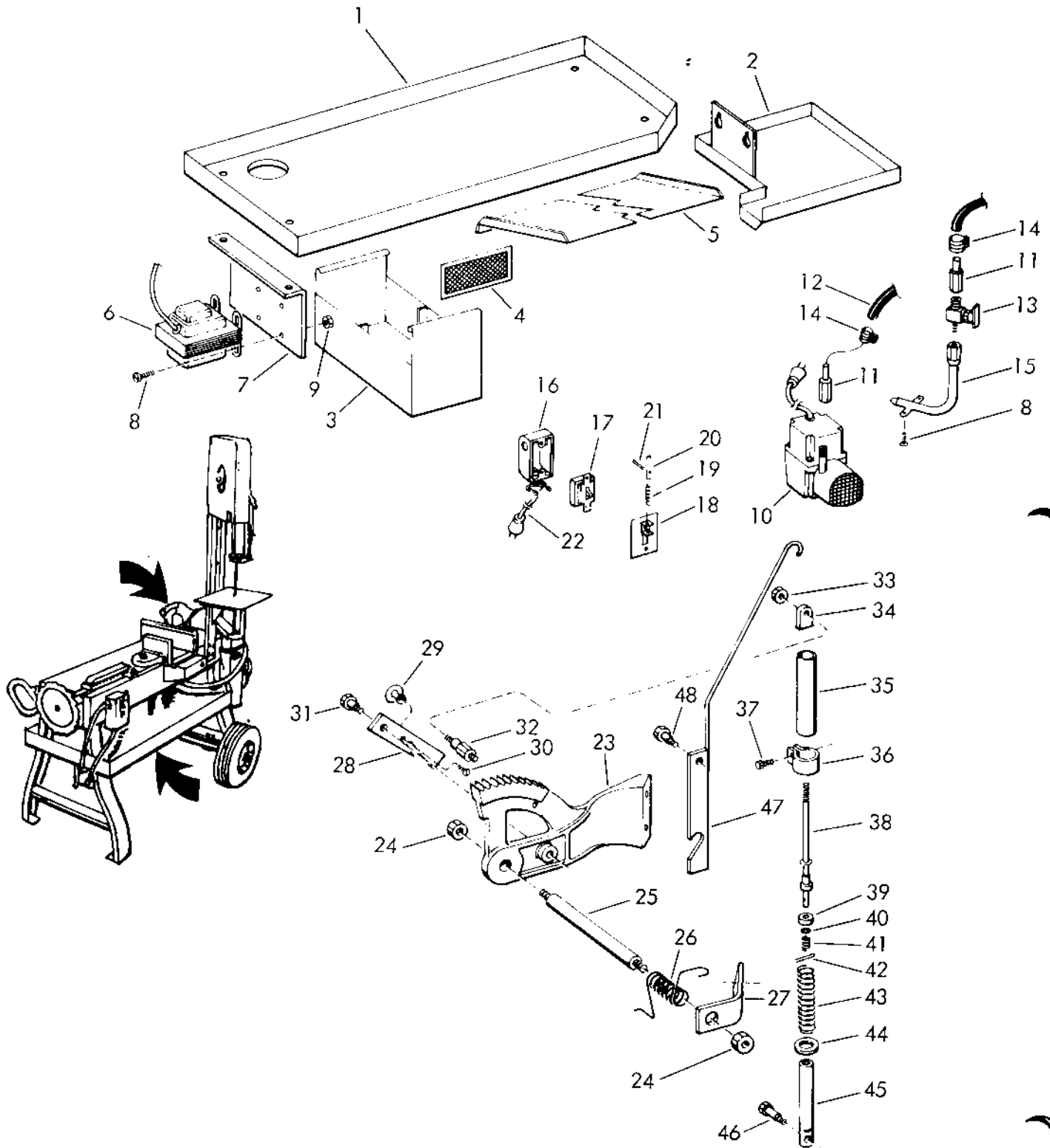
BLADE GUIDES AND GEAR BOX DETAILS

PARTS LIST

REF NO.	PART NUMBER	DESCRIPTION
1	M-13	Gear Case
2	101291	Gear Case Cover
3	100068-1	Snap Ring
4	100072-1	Expansion Plug
5	100405-1	Ball Bearing
6	101343	Pulley Shaft
7	100056-10	Key
8	100414-3	Ball Bearing
9	100068-2	Snap Ring
10	100034-3	Set Screw
11	101292	Pulley
12	100066-2	"V" Belt
13	101286	Driven Gear
14	100404-1	Ball Bearing
15	101644	Drive Shaft
16	100004-16	Cap Screw - 5/16 - 18 x 7/8 - Hex Head
17	100025-2	Lock Washer
18	100000-29	Machine Screw - 1/4 - 20 x 1-1/2 - Round Head
19	101645	Drive Pinion
20	100053-5	Roll Pin
21	JK-57	Slide Block
22	100008-3	Cap Screw - 1/4 - 20 x 3/4 - Socket Head
23	105832	Guide Bracket - Idle End
24	102898	Wing Screw
25	102963	Movable Blade Guard
26	102961	Pivot Rod
27	100034-23	Set Screw
28	101297	Roller Support
29	100029-2	Flat Washer
30	100025-1	Lock Washer
31	100004-7	Cap Screw - 1/4 - 20 x 3/4 - Hex Head
32	100406-1	Ball Bearing
33	100030-4	Flat Washer
34	101299	Eccentric Roller Axle
35	101298	Roller Axle
36	101300	Eccentric Axle Nut
37	105830	Guide Bracket - Drive End
38	105842	Blade Brush Angle - Long
39	105844	Blade Brush Angle - Short
40	M-426	Blade Brush
41	100073-3	Weld Bolt
42	100017-1	Hex Nut
43	100000-57	Machine Screw - #10 - 32 x 1-1/8 - Round Head
44	100027-3	Lock Washer
45	100015-8	Hex Nut
46	102949	Stationary Blade Guard
	102901	Gear Box Ass'y Comp. - Incl. Items 1 thru 9 and 13 thru 20
	101643	Drive Shaft & Pinion - Incl. Items 15, 19 and 20
	101322	Roller Support Ass'y - Drive or Idle - Incl. Items 28 & 32 thru 36
	105841	Blade Brush Ass'y - Inside - Incl. Items 38, 40, 41, & 42
	105843	Blade Brush Ass'y - Outside - Incl. Items 39 thru 42

Always Give Model Number, Serial Number and Part Number When Ordering Repair Parts

COOLANT, SWITCH AND DASH POT DETAILS DASH



Always give model number, serial number and part number when ordering repair parts.

COOLANT, SWITCH AND DASH POT DETAILS

PARTS LIST

REF NO.	PART NUMBER	DESCRIPTION
1	105800	Chip Pan
2	105801	Chip Pan Extension
3	101669	Coolant Tank
4	101565-2	Screen
5	105807	Splash Guard
6		Transformer - Give Complete Electrical Specs.
7	102999	Mounting Bracket
8	100000-18	Machine Screw - 10 - 32 x 3/8 - Round Head
9	100015-8	Hex Nut - 10 - 32
10	100249-3	Coolant Pump
11	102617	Adapter
12	100220-20	Coolant Hose
13	100226	Needle Valve
14	100219-1	Hose Clamp
15	102984	Coolant Nozzle
16	101236	Switch Box
17		Switch - Give Complete Electrical Specs.
18	101239	Switch Box Cover
19	101241	Spring
20	101242	Switch Control Rod
21	100050-1	Cotter Pin
22	100716-1	Cord & Plug
23	105828	Frame Ratchet
24	100017-7	Hex Nut
25	102885	Pivot Bar
26	102875	Spring
27	105829	Frame Pivot Bracket
28	102894	Latch
29	P-50	Knob
30	100001-21	Machine Screw - 10 - 24 x 1/2 - Flat Head
31	102895	Stud
32	M-155	Dash Pot Upper Stud
33	100017-3	Hex Nut
34	M-144	Piston Rod End
35	101524	Outside Tube
36	101776	Clamp
37	100004-15	Cap Screw - 5/16 - 18 x 3/4 - Hex Head
38	101527	Piston Rod
39	M-166	Cup Leather
40	100070	Cup Washer
41	M-148	Spring
42	100050-2	Cotter Pin
43	102918	Spring
44	101777	Washer
45	101523	Inside Tube
46	M-147	Dash Pot Lower Stud
47	102989	Latch
48	102942	Stud
	102888	Switch Box Ass'y - Incl. Items 16 thru 22
	M-301	Dash Pot Ass'y - Incl. Items 34, 35, 38 thru 42 and 45
	101526	Piston Rod Ass'y Comp. - Incl. Items 38 thru 42

SAFETY INSTRUCTIONS

Know your machine, its safe and proper use!

DISCONNECT POWER before adjusting or servicing the saw or changing a blade.

STAY CLEAR of all moving parts. Keeps hands and fingers away from the saw blade.

WHEN MOVING SAW, with hinged frame (saw head), secure the head in its down position.

WHEN CUTTING MAGNESIUM, take special precautions. Use a sharp saw blade, make only dry cuts, prevent chip accumulation, and keep fire-fighting equipment nearby.

THIS SAW SHOULD BE GROUNDED WHILE IN USE TO PROTECT THE OPERATOR FROM ELECTRICAL SHOCK.

1. CORD-CONNECTED TOOLS. If the saw is equipped with an approved three-conductor cord and a three-prong grounding type plug it should only be connected to a properly equipped and grounded receptacle. The green conductor in the cord is the grounding wire. Never connect the green wire to a live terminal.

Use only a three-wire extension cord having a three-pronged receptacle, a three-pronged plug and ample amperage rating. Replace or repair a damaged or worn cord immediately.

2. PERMANENTLY CONNECTED TOOLS. The saw should be connected to a grounded, metal-enclosed wiring system or an equipment-grounding conductor should be run with the circuit conductors and connected to the saw's grounding terminal or lead.

To reset the manual starter after a power interruption, return the switch to OFF and press the RESET button before restarting

FOR ALL TOOLS

KEEP GUARDS IN PLACE and in working order.

REMOVE ADJUSTING KEYS AND WRENCHES. Form a habit. Check to see that all keys and wrenches are removed from the tool before turning the tool on.

KEEP WORK AREA CLEAN. Cluttered areas and benches invite accidents.

AVOID DANGEROUS ENVIRONMENT. Do not use power tools in damp or wet locations. Keep your work area well lighted.

KEEP CHILDREN AWAY. All visitors should be kept a safe distance from work area.

MAKE WORKSHOP KID-PROOF with padlocks, master switches, or by removing starter keys from tools.

DON'T FORCE TOOL. It will do the job better and safer at the rate for which it was designed.

USE RIGHT TOOL. Don't use a tool or attachment to do a job for which it was not designed.

WEAR PROPER APPAREL. No loose clothing or jewelry to get caught in moving parts. Rubber-soled footwear is recommended for best footing.

USE SAFETY GLASSES. Also use face or dust mask if operation is dusty.

SECURE WORK. Use clamps or a vise to hold work. Provide adequate support to prevent injury from falling work pieces.

DON'T OVER REACH. Keep proper footing and balance at all times.

MAINTAIN TOOLS WITH CARE. Keep tools sharp and clean for best and safest performance. Follow instructions for lubricating and changing accessories.

DISCONNECT TOOLS before servicing or when changing accessories such as blades, bits, cutters, etc.

AVOID ACCIDENTAL STARTING. Make sure the switch is in OFF position before connecting power tools.

USE ONLY RECOMMENDED ACCESSORIES. Consult the owner's manual for recommended accessories. The use of improper accessories may be hazardous.

NEVER STAND ON A TOOL. Serious injury can occur if the tool is tipped or the cutting tool is accidentally contacted.

CHECK DAMAGED PARTS. Before further use of the tool, a guard, or other part that is damaged, should be carefully checked to ensure that it will operate properly and perform its intended function. Check for alignment of moving parts, binding of moving parts, breakage, mounting and any other condition that may affect the tool's proper operation. Any guard or part that is damaged should be properly repaired or replaced.

.....

Although this excerpt from the survey report does not necessarily reflect the views and policies of OSHA, it is presented for your consideration in maintaining workplace safety.

From
**“Machine Guarding -
Assessment of Need”**

HEW publication No. (OSHA) 75-173

SUMMARY:

The previous information has discussed specific machines and their inherent characteristics and hazards. All machines, however, require proper power installation and maintenance. High-speed, rotating cutting tools must be properly sharpened and well balanced to eliminate vibration. Saw blades must be properly sharpened and set to eliminate

binding and ensure clean cuts. Any cutting tool that is cracked or chipped must be discarded.

The work area should be neat, well lighted, properly ventilated and free of pedestrian or vehicle traffic. Ample room is needed for stock handling and storage, the floors must be free of slipping or tripping hazards as many machines have exposed tooling that can be fallen on.

These items, though they are not specific machine guard needs, are equally important.

It is also interesting to note that operators observed and questioned by the survey representatives and employed on some woodworking and metalworking equipment are often new hires with little or no experience in machine operation. This is substantiated by the finding that proper training programs are almost absent from industry (Field Supplement, page 8) and by the fact that the highest percentage of accidents occurs at a young age (see Field Survey Supplement, page 8). The best example of this is with operators of saws where the operation seems self-explanatory through observation. Perhaps the operation is basically simple; nevertheless, operators should be carefully trained and enthusiastically motivated to perform safely.

A final observation found through field surveys has to do with the size of the company versus the number of unguarded machines (see Field Survey Supplement, page 2). The smaller the company in number of employees, the larger the percentage of unguarded machines observed. This illustrates a further need for machine guards.

The age of the operator, the size of the company, and the lack of training programs, along with the investigation of specific machines to identify inherent hazards, establishes a definite need for machine guarding. The fact that a hazard exists and a worker performs in proximity to that hazard will undoubtedly result in an injury. Because of this, the use of machine guards to divorce the operator from the hazard to the highest possible degree is not only desirable but needed. It is the moral responsibility of the employer and expected benefit to the employee to be able to manufacture goods without occupational injuries.

Operation & Maintenance

READ CAREFULLY

The MODEL 58B METAL CUTTING BAND SAW is designed for efficient performance. With proper care, it will give you many years of dependable service. READ THIS MANUAL CAREFULLY BEFORE OPERATING YOUR NEW SAW.

After final assembly, each saw is inspected and tested. No adjustment should be needed.

This manual has been prepared to assist you in the operation and maintenance of your new saw. If you desire additional information or assistance, please contact your dealer's service representative.

INSTALLATION

Uncrate and check all parts. Report any damage to your carrier and file a Proof of Loss Claim with the carrier.

Be sure motor specifications correspond with your power source.

Place the saw so that each leg is carrying its share of the load. The 58B Saw can be operated both horizontally and vertically. For vertical operation, place frame in upright position, attach the vertical work table, and operate switch manually.

OPERATION

Do not apply too much feed rate. Start cut carefully and the new blade will last much longer. Make sure all four legs are in solid contact with the floor. Keep blade guide as close to the work as possible.

PLACING BLADE ON SAW

1a. Dry Cutting Machine! Release from safety latch bar and swing frame into vertical position.

1b. Machine with Wet Cutting System! Remove chip pan, then follow instructions in 1a.

2. Open idler wheel hinged guard.

3. Remove blade guard

4. Turn blade tension wing screw to lower the idler wheel and slide block assembly.

5. Uncoil a 1/2" x 93" blade.

6. When facing cut-off side of machine, blade must travel toward the motor end.

7. Be sure blade teeth point in this direction. If not, twist blade band inside-out.

8. Install blade as follows:

a. Place blade between guide bearings and brushes

b. Insert blade into slot between frame and guard.

c. Slide blade onto the drive and idler wheels.

d. Turn tension wing screw until blade is taut.

e. Make sure blade is completely on band wheel but not riding on either wheel flange.

9. Briefly start and stop motor a few times to make sure blade is riding correctly on band wheels, then tighten blade to proper operating tension.

10. Replace blade guard.

11. Lower frame for horizontal cutting.

12. Check safety latch bar. Be sure it is in proper position to prevent frame from being raised beyond maximum position when used as a horizontal cut-off saw.

QUICK ACTION VISE

The sliding vise jaw is equipped with a ratchet dog arm for quick action and a hand wheel for tightening work in the vise. Excessive pressure is not required to hold material securely in the vise.

FIXED JAW VISE

Two pins in the fixed vise jaw assist in the quick relocation of the fixed vise jaw for 90° cutting. For final and accurate adjustment, the blade should be squared with the vise jaw by placing machinists' square head lightly against the side of the blade and the square's blade against the machined face of the vise jaw.

NOTE: These pins must be removed before fixed vise jaw can be turned. For angle cutting, use the clamp bolts to hold fixed vise jaw.

Loosen sliding vise jaw and push against fixed vise jaw, then cap screw tightened, leaving vise jaws parallel.

MAXIMUM VISE CAPACITY & 45 DEGREE ANGLE ADJUSTMENT

1. Remove blade brush assembly from blade guide arm.

2. Remove the two 5/16" cap screws holding guide arm to the frame.

3. Move guide arm back to the next two holes. Replace cap screws and tighten in place.

4. Remove vise jaw pins in fixed vise.

5. Remove 1/2" cap screw from quadrant.

6. Loosen cap screw in center of vise jaw and slide vise toward motor end of machine about 2 1/4".

7. Replace 1/2" cap screw in tapped holes and tighten lightly.

8. With saw frame in cut-off position, place head of machinist's square lightly against slot in bed with the blade of square against machined face of vise jaw. Tap lightly with lead hammer until vise jaw is parallel to blade of square. Tighten cap screws. Use a protractor for angle adjustment.

DASH POT

Wellsaws are equipped with a dash pot (frame check) to stabilize the downward travel of the saw frame to protect the saw blade from damage. The action is hydraulic. The flow of fluid being bypassed through an orifice controls the downward stroke of the saw frame.

Fill dash pot to within 1" of top of the bottom cylinder with Cities Service "Amplex 05" Hydraulic Oil or equivalent.

FRAME WEIGHT ADJUSTMENT

The position of the collar in relation to the spring on the dash pot acts as the frame weight adjustment

The proper frame weight is approximately 10 lbs. and is obtained by positioning the collar 3 3/4" down from the top edge of the *upper* cylinder to the top edge of the collar. For less frame weight, loosen collar and move downward toward tension spring. Reverse procedure for more frame weight.

Too much frame weight will cause the blade to cut crookedly.

SWITCH AND MOTOR

This saw is equipped with a start-stop switch that automatically shuts off the motor at the completion of a cut when the wheel guard contacts the switch control rod. If adjustment is necessary, adjust the switch control lever to the desired position for proper shut-off.

It is necessary to raise the saw frame clear of the switch control lever before the saw can be started.

Thermal overload protection is provided in the motor. Should the motor stop for other than normal reasons, it may be due to overload. After the problem has been corrected, the motor may be reset by following the instructions on the motor name plate.

SPEED SELECTION

Saws are equipped with step pulleys that provide three speeds: 76, 141 and 268 blade feet-per-minute. Change blade speed by loosening wing screw close to the motor pivot. Place belt in desired position, tighten wing screw until belt is snug and lock wing screw with wing nut.

FAST speed to cut thin-wall metal, tubing, thin brass or any metal that will not burn teeth.

MEDIUM speed on general cutting such as cold rolled machine steels or any metals which require a slow speed on a lathe.

Use beeswax when cutting brass. Brass should always be cut with a new blade. If teeth wear unusually fast, use slower speed. Always keep the blade in proper tension.

MAINTENANCE

BEFORE MAKING ANY ADJUSTMENTS, ALWAYS TRY A NEW BLADE TO MAKE SURE THE CAUSE OF THE PROBLEM IS NOT A WORN BLADE.

Blade guides are provided to hold the blade in both horizontal and vertical alignment.

Accuracy of cut depends on proper adjustment of the blade bearings. Check their condition for wear or a tendency to stick. When the blade is moved sideways or with a twisting action, the movement should stop at the beatings and not be transferred beyond this point

An eccentric axle is provided on each blade guide. By rotating this axle, the bearing is drawn away from or toward the blade.

ADJUSTMENT OF GUIDES

(See Page 13)

BLADE BRUSHES

Brushes should be cleaned frequently with kerosene or a good solvent. To take advantage of both rows of bristles, invert blade brushes and install them on the opposite side of the blade.

For best results, replace worn, filled or sticky brushes. In bolting brushes to the mounting angles, be sure wire bristles are turned in the same direction that the blade travels.

LUBRICATION

Correct and adequate lubrication is a very important to achieve maximum service. It is imperative that all dust and dirt be removed before lubricating.

Marfak Grade "O" Grease, or equivalent, is used in the gear case. Other parts of the saw may be lubricated as follows.

1. Vise adjusting screw. Use a heavy oil or light grease.
2. Keep internal ring gear and pinion well lubricated with a good quality, medium grade, fibrous grease.
3. Wheel ball bearings are sealed and permanently lubricated.
4. Apply a few drops of machine oil to the frame pivot bar
5. For proper motor lubrication, follow the motor manufacturers instructions

LUBRICATION SUMMARY

GEAR CASE: Service interval; inspect after 3 years and annually thereafter.
Lubricant: Texaco Marfak Grade 'O' or equivalent.
Viscosity: SUS @ 100°F = 4125
Military Specification: None

WISE SCREW, EXTERNAL PLASTIC GEAR, PINION: Inspect monthly.
Lubricant: Lubriplate 130-A or equivalent.
Viscosity: SUS @ 100°F = 750-800 Military Specification: MIL-G-46003

HELPFUL SUGGESTIONS

1. To select the proper blade, consider the type of material to be cut as well as to its size and shape. The SELECT-O-CHART is a handy reference guide.
2. Use the correct blade speed and correct pressure for each type of material cut.
3. Always maintain proper blade tension.
4. Lower saw frame carefully so that the blade will start cutting before full frame feed pressure is applied to the blade.
5. Reduce feeding pressure for the first two or three cuts with a new blade.
6. Keep the adjustable blade guide as close as possible to the material being cut.
7. Keep blade brushes in contact with the blade teeth a all times.

Recommended Service Kit For Insurance Against Downtime

2 Years		
100406-001	Bearing	6 req'd.
100066-002	"V" Belt	1 req'd.
M-426	Blade Brush	2 req'd.

58B Service Parts Changes

ELECTRICALS

Before 17240 to 21035

Begin 20855

Begin 21036

Use 100670-1 (Switch Only) or 102888 Switch Box Assembly.

Use 105869 Safe Start Plus and Cord Set.

120228 Switch Assembly & 100846-16 Motor.

BLADE GUIDES

To Serial Number 11751

Frame Ratchet 102858

Guide Bracket 102908 Idle End

Guide Bracket 102912 Drive End

Roller Guide Assembly 101322

From Serial Number 11752

Frame Ratchet 105828

Guide Bracket 105832 Idle End

Guide Bracket 105830 Drive End

Roller Guide Assembly 101322

BLADE GUARDS

To Serial Number 11885

Blade Guard 102963 Idle End

Blade Guard 102949 Drive End

Pivot Rod 102961

Current Idle Wheel Guard Assembly could replace old assembly using the following parts.

Idle Wheel Guard Assembly 105868

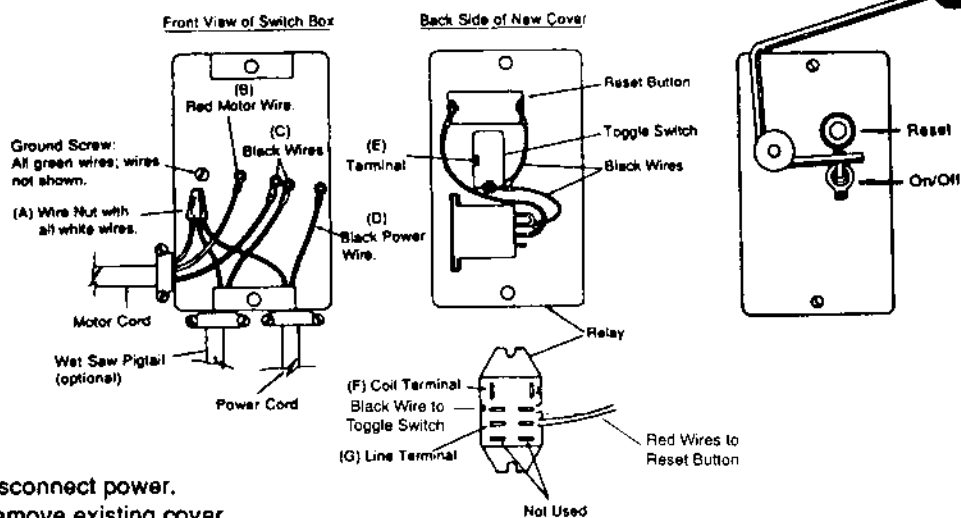
Roller Axle 105860

WHEEL KITS

To Serial Number 22020

Wheel and Handle Kit for field installation, 102931

120229 Switch Box Assembly



- 1 Disconnect power.
- 2 Remove existing cover
- 3 Remove wire nut (A) and add white pigtail with push connector.
- 4 Cut off red motor wire (B) from both ends of motor cord.
- 5 Connect black wire (C) from motor and wet saw pigtail (C) to toggle switch terminal (E).
- 6 Cut off existing terminal on black power wire (D) and replace with push terminal supplied.
- 7 Connect new white pigtail to relay coil terminal (F).
- 8 Connect black power wire (D) with new push terminal to relay line terminal (G).
- 9 Install cover on switch box.
- 10 Saw operation. Push reset button only after loss of power. Normal saw operation is by toggle switch.

Trouble Shooting

For Greater Service and Efficiency Careful Operation - Blade Consideration

DIFFICULTY	REASON	REMEDY
Cutting out of line	Too heavy a feed or worn blade.	Reduce feed rate by adjusting frame weight or replace the blade. Replace worn guide bearings when they begin to show excessive wear.
	Guides in wrong position.	Set as close to work as possible.
	Guides out of alignment.	Follow adjustment instructions.
	Set worn on one side of blade.	Keep brushes clean. Avoid teeth rubbing in cut by applying enough weight so that each tooth is cutting a good chip.
	Starting cut on odd shape where blade does not contact flat surface.	Retard feed until blade has a good start in the material.
Stripping teeth	Blade teeth too coarse.	Be sure that two or more blade teeth are in contact with material being cut.
	Hard spots on material.	Rotate stock, if possible. Do not put new blade in cut at same angle.
Breaking	Guides out of alignment.	Follow adjustment instructions.
	Blade twisting.	Adjust guides as close to work as possible. Be sure material being cut is held firmly.
	Lack of blade tension.	Always keep blade tight.
	Dash Pot Malfunction	Check hydraulic fluid level and/or condition of cup leather.
Excessive wear	Blade speed too fast.	Follow recommended cutting speeds.
Blade running off wheel	Lack of blade tension	Always keep blade tight.
	Improper wheel pitch adjustment	See instructions for wheel pitch adjustment.

Always use a light feed on new blades!